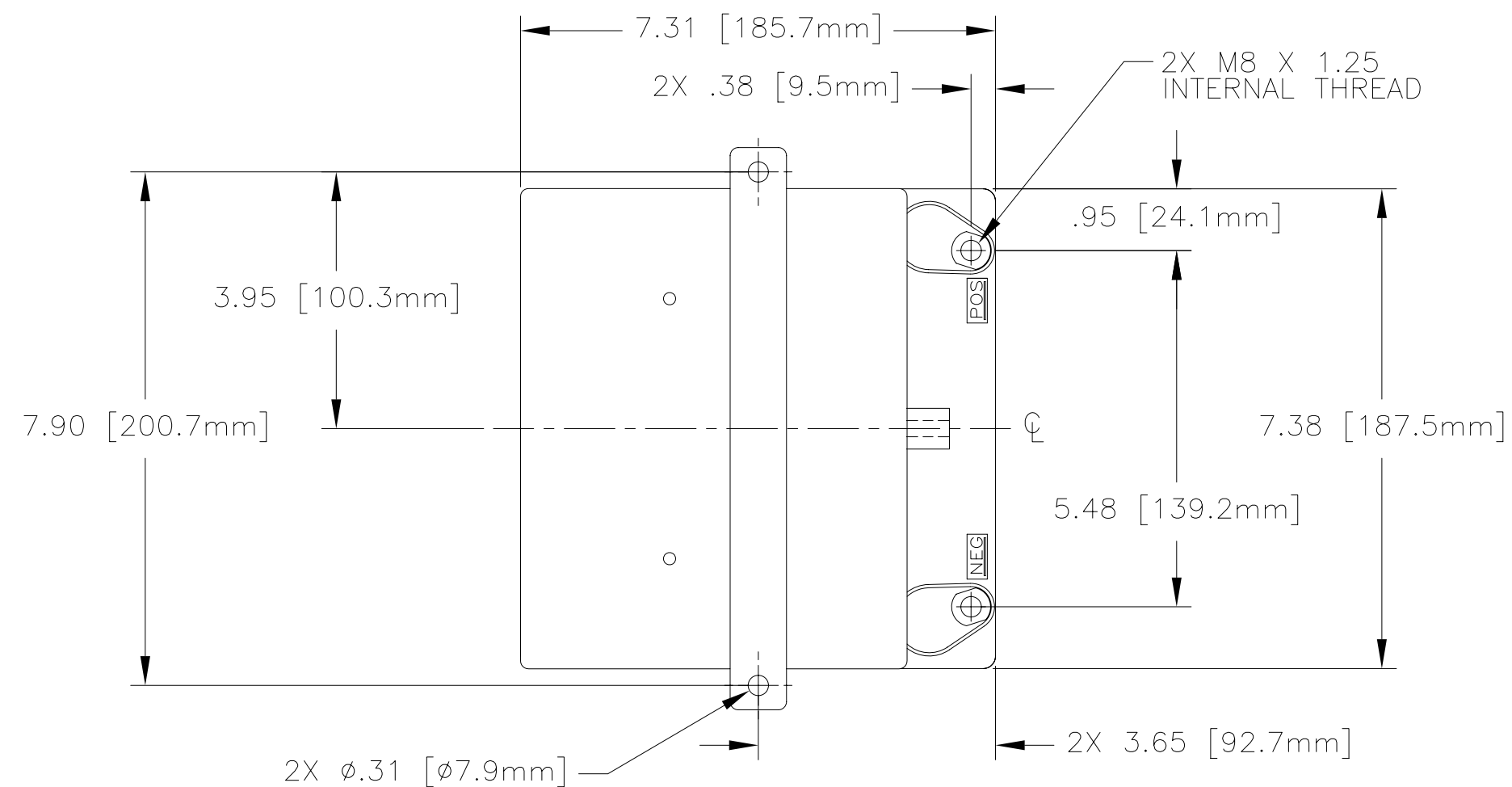


NOTES: UNLESS OTHERWISE SPECIFIED

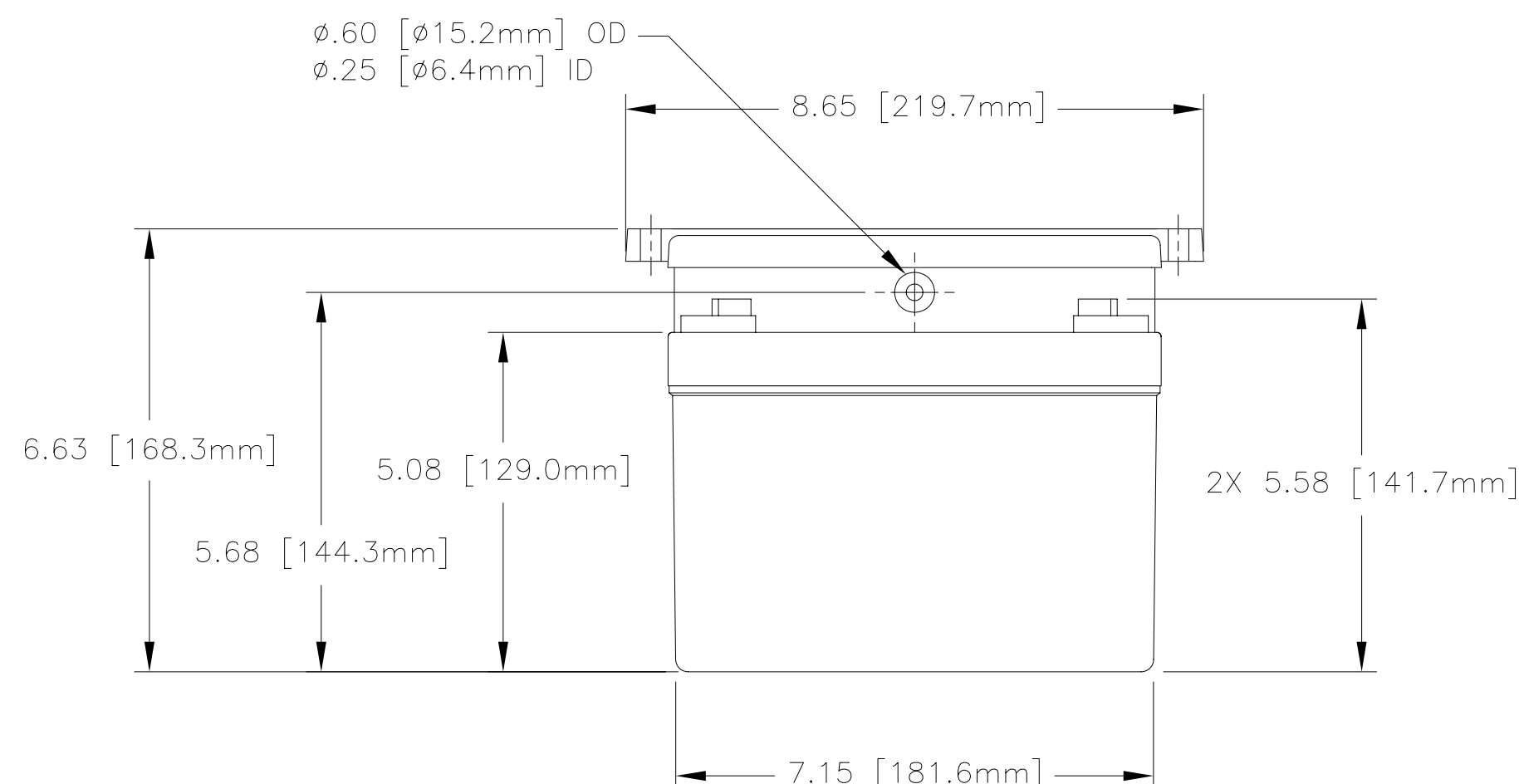
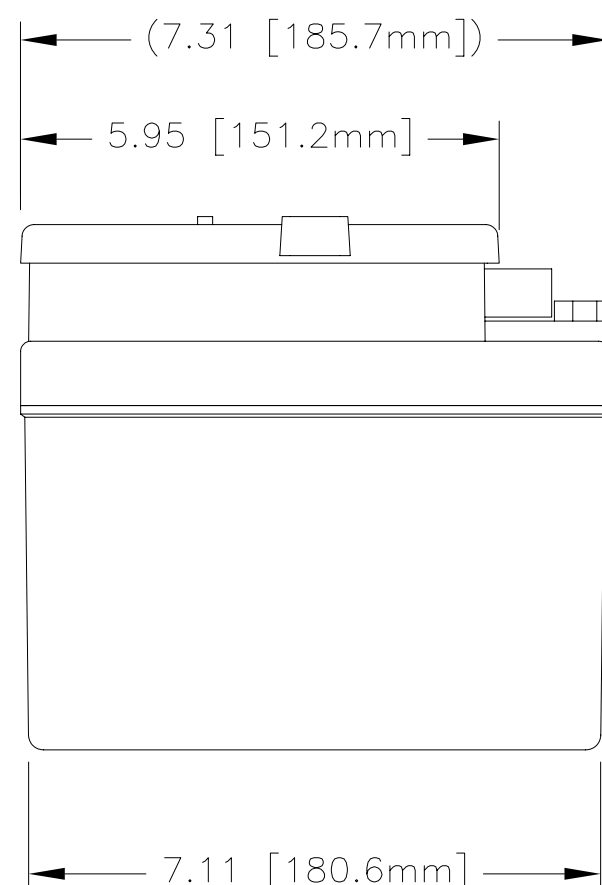
- ABBREVIATION USED IN TITLE IS: VALVE REGULATED SEALED LEAD ACID (VRS LA).
- MANUFACTURED AND INSPECTED IAW AS9100 QUALITY SYSTEM REQUIREMENTS.
- SEE DRAWING NO. CB-00164 AND PROCEDURE P-1000 FOR ASSEMBLY AND TEST INSTRUCTION. PROCEDURES AND ASSEMBLY DRAWINGS ARE FOR INTERNAL USE ONLY.

- BATTERIES ARE RATED IAW INTERNATIONAL ELECTROTECHNICAL COMMISSION STANDARD 60952-1 AND RTCA STANDARD DO-293, UNLESS OTHERWISE NOTED.
- GENERAL AVIATION BATTERIES ARE NOT DESIGNED FOR REPETITIVE TURBINE ENGINE STARTING.

REVISIONS			
REV	DESCRIPTION	DATE	APPROVED
A	REVISED TERMINAL	9/9/98	JBT
B	REVISED POWER RATINGS AND NOTES	2/17/10	JBT
C	REVISED COVER, DIM 6.63[168.3mm] WAS 6.73[170.8mm], ADDED 2X HOLD-DOWN PINS	3/24/11	JBT



PART NUMBER	RG24-11M
MAXIMUM WEIGHT	26.5 LBS [12.0 KG]
RATED CAPACITY, C ₁	11 AH
POWER RATING AT 23°C	lpp 625 A, lpr 450 A
POWER RATING AT -18°C	lpp 350 A, lpr 250 A
POWER RATING AT -30°C	lpp 250 A, lpr 200 A



ENVELOPE DRAWING

QTY REQD	CAGE CODE	PART OR IDENTIFYING NO.	NOMENCLATURE OR DESCRIPTION	MATERIAL SPECIFICATION	ITEM NO.
PARTS LIST					
UNLESS OTHERWISE SPECIFIED DIMENSIONS ARE IN INCHES TOLERANCES ARE:			CONCORDE BATTERY CORPORATION 2009 SAN BERNARDINO RD, W. COVINA, CA 91790		
FRACTIONS	DECIMALS	ANGLES	APPROVALS	DATE	TITLE
.XX	± .06		DRAWN	AMIII	5/14/97
.XXX	± .060		CHECKED	AMIII	5/23/97
TREATMENT	NONE		APPROVED	JBT	5/23/97
FINISH	NONE		ISSUED	JJ	3/25/11
SIMILAR TO	ACT WT	CALC WT	CONTRACT NO.	SIZE	CAGE CODE
				C	63017
				DWG NO.	REV
				RG24-11M	C
				SCALE	SHEET
				NONE	1 OF 1