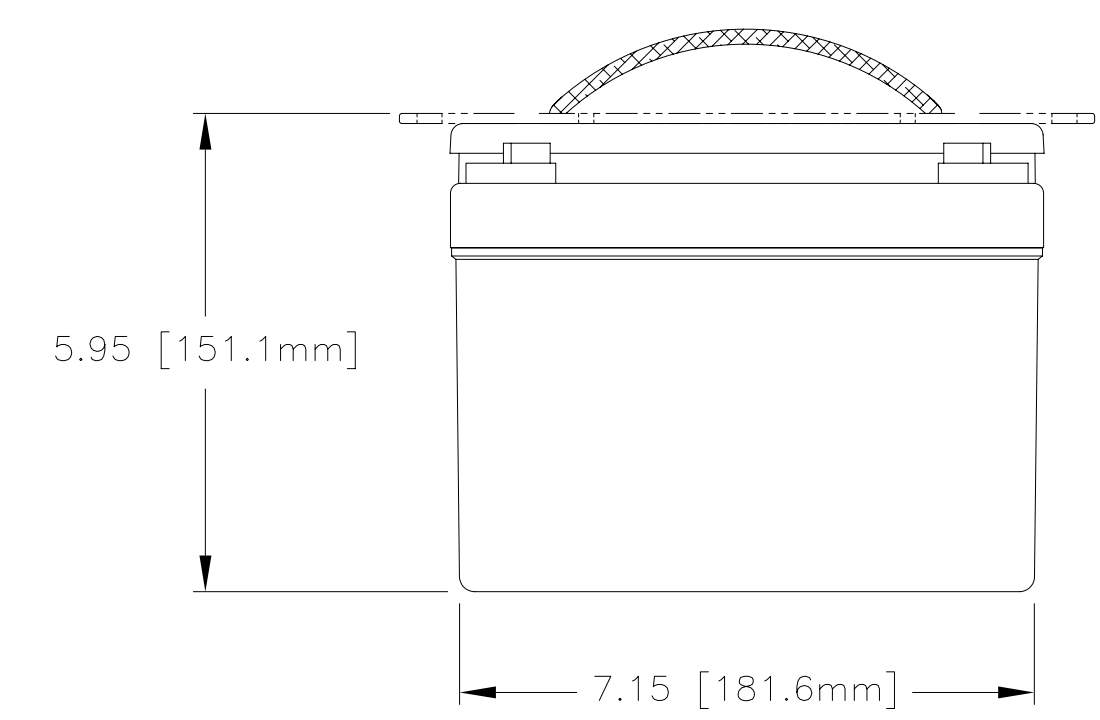
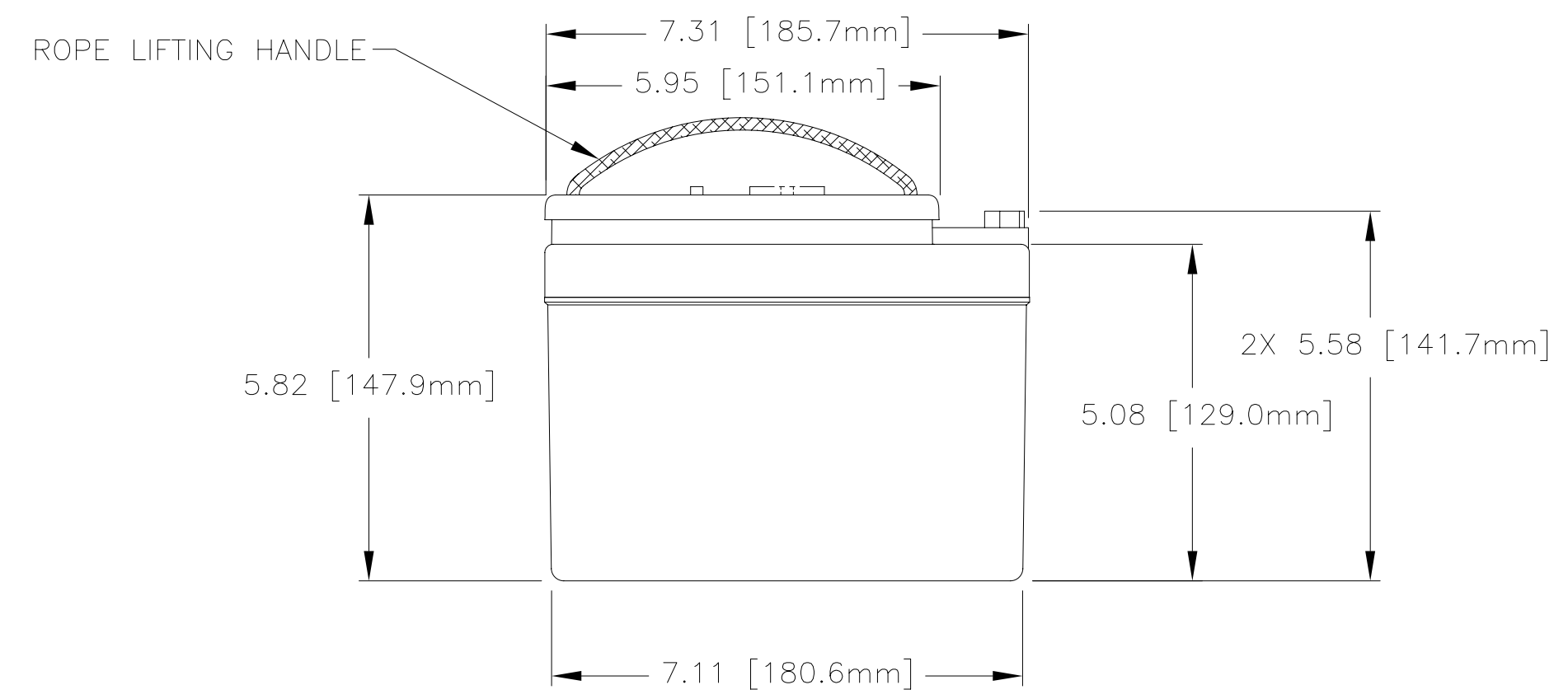
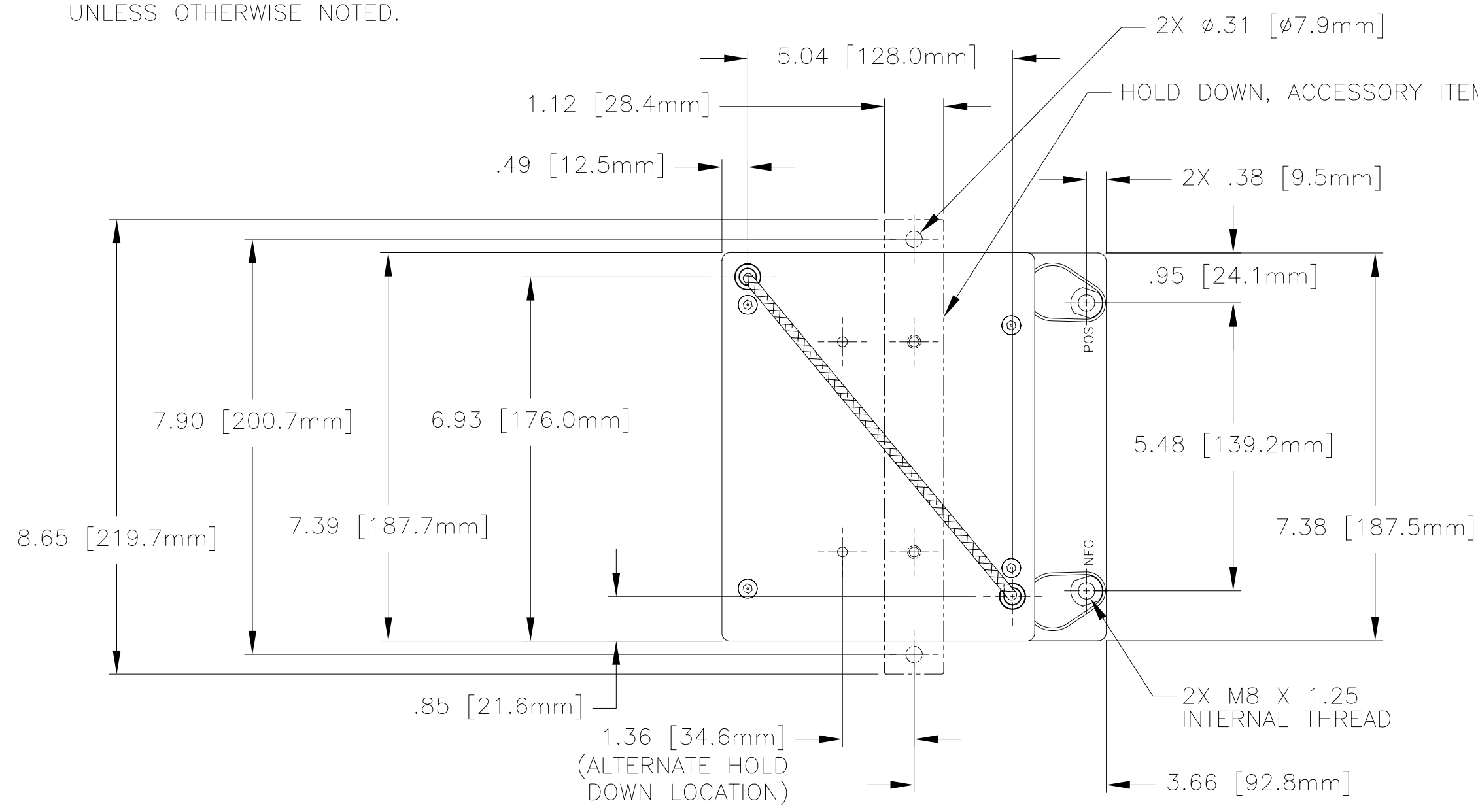


NOTES: UNLESS OTHERWISE SPECIFIED

- ABBREVIATION USED IN TITLE IS: VALVE REGULATED SEALED LEAD ACID (VRSLA).
- MANUFACTURED AND INSPECTED IAW AS9100 QUALITY SYSTEM REQUIREMENTS.
- SEE DRAWING NO. CB-00229 AND PROCEDURE P-1000 FOR ASSEMBLY AND TEST INSTRUCTION. PROCEDURES AND ASSEMBLY DRAWINGS ARE FOR INTERNAL USE ONLY.
- BATTERIES ARE RATED IAW INTERNATIONAL ELECTROTECHNICAL COMMISSION STANDARD 60952-1 AND RTCA STANDARD DO-293, UNLESS OTHERWISE NOTED.
- GENERAL AVIATION BATTERIES ARE NOT DESIGNED FOR REPETITIVE TURBINE ENGINE STARTING.

REVISIONS			
REV	DESCRIPTION	DATE	APPROVED
A	REVISED TERMINAL	9/9/98	JBT
B	REVISED LIFTING HOLES TO ROPE LIFTING HANDLE	9/29/05	JBT
C	REVISED POWER RATINGS AND NOTES	2/17/10	JBT

PART NUMBER	RG24-11
MAXIMUM WEIGHT	26.5 LBS [12.0 KG]
RATED CAPACITY, C ₁	11 AH
POWER RATING AT 23°C	lpp 625 A, lpr 450 A
POWER RATING AT -18°C	lpp 350 A, lpr 250 A
POWER RATING AT -30°C	lpp 250 A, lpr 200 A



ENVELOPE DRAWING

QTY REQD	CAGE CODE	PART OR IDENTIFYING NO.	NOMENCLATURE OR DESCRIPTION	MATERIAL SPECIFICATION	ITEM NO.
PARTS LIST					
UNLESS OTHERWISE SPECIFIED DIMENSIONS ARE IN INCHES TOLERANCES ARE:			CONTRACT NO.		
FRACTIONS DECIMALS ANGLES			CONCORDE BATTERY CORPORATION		
.XX ± .06			2009 SAN BERNARDINO RD, W. COVINA, CA 91790		
.XXX ± .060			TITLE		
			BATTERY, VRSLA, 24 VOLT		
TREATMENT	NONE	CHECKED	AMIII	5/17/97	SIZE
FINISH	NONE	APPROVED	JBT	7/25/97	CAGE CODE
SIMILAR TO	ACT WT	ISSUED	JJ	2/18/10	63017
	CALC WT				DWG NO.
					RG24-11
					REV
					C
					SCALE
					NONE
					SHEET
					1 OF 1