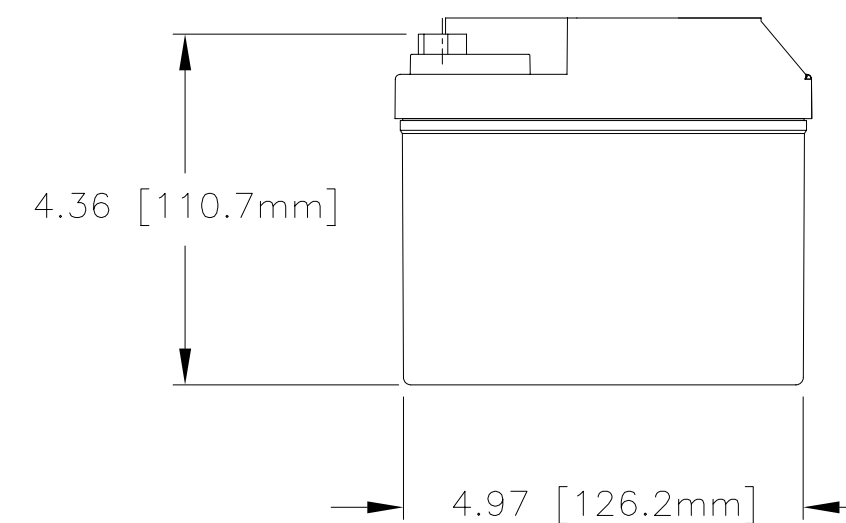
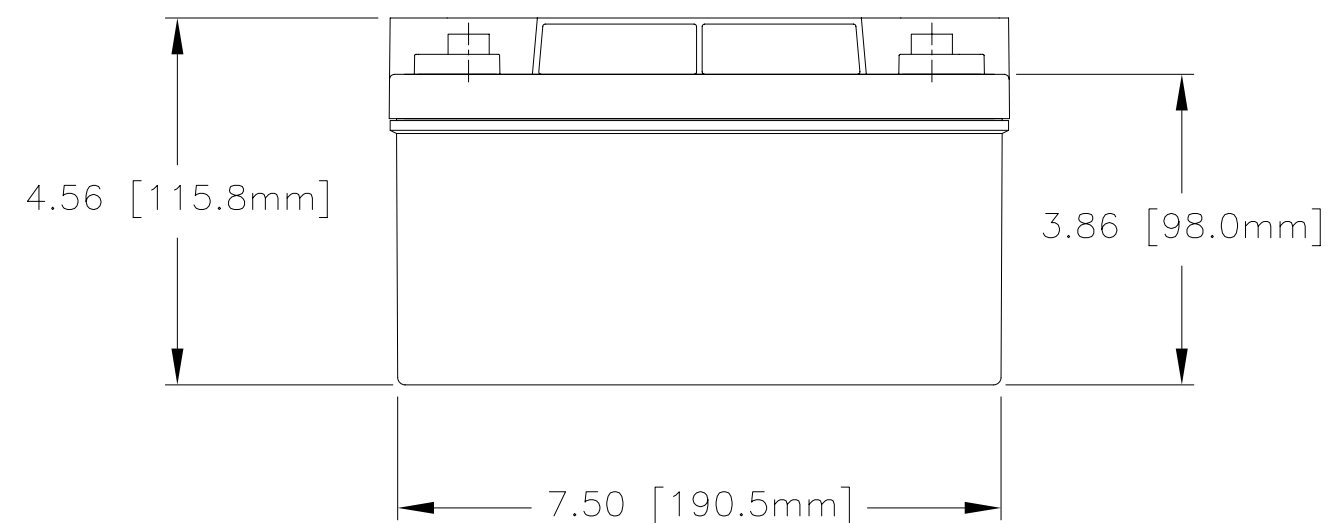
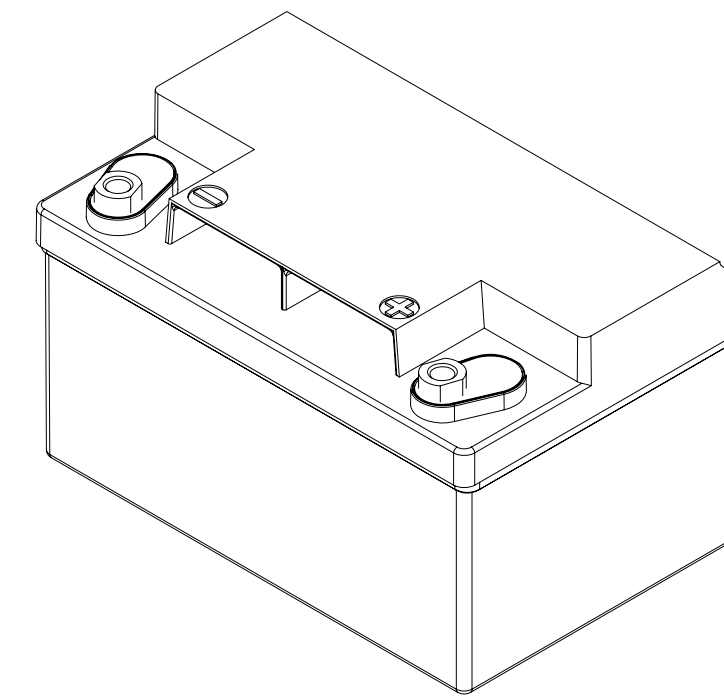
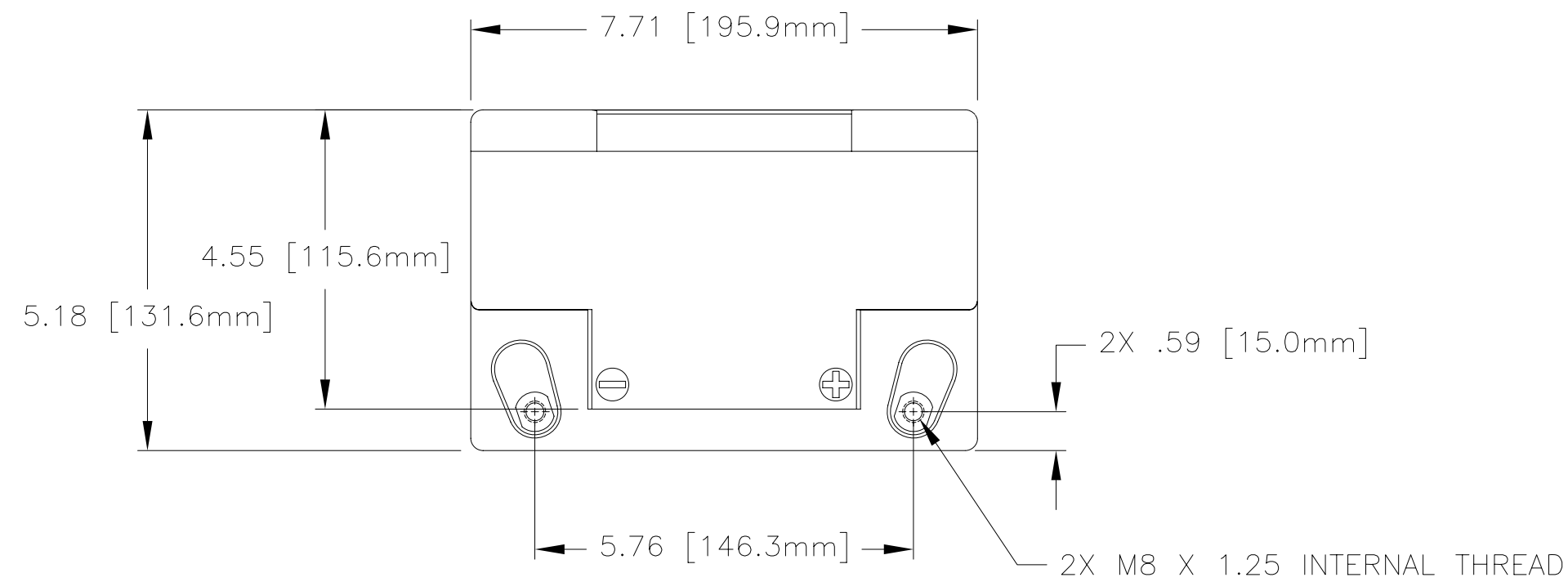


NOTES: UNLESS OTHERWISE SPECIFIED

REVISIONS			
REV	DESCRIPTION	DATE	APPROVED

1. MANUFACTURED AND INSPECTED IAW AS9100 QUALITY SYSTEM REQUIREMENTS.
2. ABBREVIATION USED IN TITLE IS: VALVE REGULATED SEALED LEAD ACID (VRSLA).
3. SEE DRAWING NO. CB-00413 AND PROCEDURE P-1000 FOR ASSEMBLY AND TEST INSTRUCTION. PROCEDURES AND ASSEMBLY DRAWINGS ARE FOR INTERNAL USE ONLY.
4. BATTERIES ARE RATED IAW INTERNATIONAL ELECTROTECHNICAL COMMISSION STANDARD 60952-1 AND RTCA STANDARD DO-293, UNLESS OTHERWISE NOTED.
5. GENERAL AVIATION BATTERIES ARE NOT DESIGNED FOR REPETITIVE TURBINE ENGINE STARTING.



PART NUMBER	RG-12LSA
MAXIMUM WEIGHT	13.0 LBS [5.9 KG]
RATED CAPACITY, C <sub>1</sub>	11 AH
POWER RATING AT 23°C	lpp 575 A, lpr 400 A
POWER RATING AT -18°C	lpp 275 A, lpr 225 A
POWER RATING AT -30°C	lpp 170 A, lpr 125 A

ENVELOPE DRAWING

QTY REQD	CAGE CODE	PART OR IDENTIFYING NO.	NOMENCLATURE OR DESCRIPTION	MATERIAL SPECIFICATION	ITEM NO.
PARTS LIST					
UNLESS OTHERWISE SPECIFIED DIMENSIONS ARE IN INCHES TOLERANCES ARE:			CONCORDE BATTERY CORPORATION 2009 SAN BERNARDINO RD, W. COVINA, CA 91790		
FRACTIONS ±1/32		DECIMALS .XX ±.06	ANGLES ±1'	TITLE BATTERY, VRSLA, 12 VOLT	
TREATMENT NONE		CHECKED AMIII	DATE 8/11/10	SIZE C	CAGE CODE 63017
FINISH NONE		APPROVED JBT	DATE 8/11/10	DWG NO. RG-12LSA	REV
SIMILAR TO		ACT WT	ISSUED JJ	SCALE NONE	SHEET 1 OF 1