

User Guide

OMNI 97

For iPad 9.7", iPad Pro 9.7" and iPad Air 2



PIVOT™

Better Connection. Better Protection.

[Issued 02.27.2019 Version R3]

PIVOT™

Better Connection. Better Protection.
*Making the **Case** for Aviation.*

OMNI 97 | User Guide

For iPad 9.7", iPad Pro 9.7" and iPad Air 2

Read Before Use

For optimal performance and maximum satisfaction with your PIVOT case, please follow this set of simple recommendations to ensure proper deployment and superior device protection.

WARNING: *Your PIVOT case is designed to hold your device firmly to protect against accelerated impacts. Once installed, your device will be held securely on all sides. It is not intended to come out easily. When you get a PIVOT case, it means you're getting the best. PIVOT products maximize protection and minimize the need to remove the device from your PIVOT case.*

If you need to remove your device, please refer to this document or visit PIVOT online for instructions to avoid unnecessary damage to your device and PIVOT case.



Air Cushion



Lightweight



Thermal Control



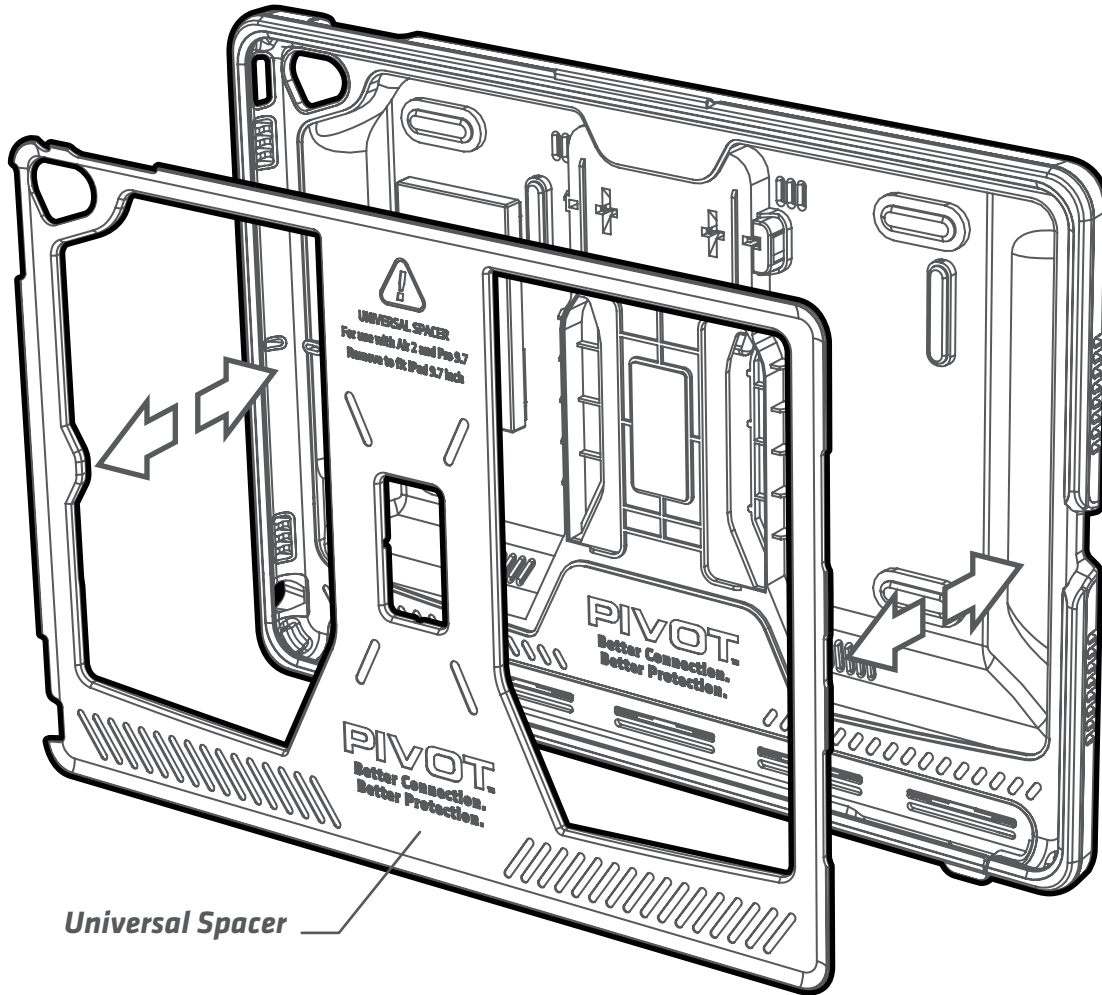
Tough Protection



Keyboard Compatible



Stylus Support



Device Compatibility

The PIVOT OMNI 97 is a multi-generational device solution. With the use of the PIVOT Universal Spacer, the OMNI 97 fits the Apple™ iPad 9.7", iPad Pro 9.7" and the Air 2. Features such as camera, audio jack openings and button access have been shifted to accommodate the various locations of these features across the different devices. Use the Universal Spacer insert in the following device configurations:

Use Universal Spacer:

iPad Pro 9.7"
iPad Air 2

Remove Universal Spacer:

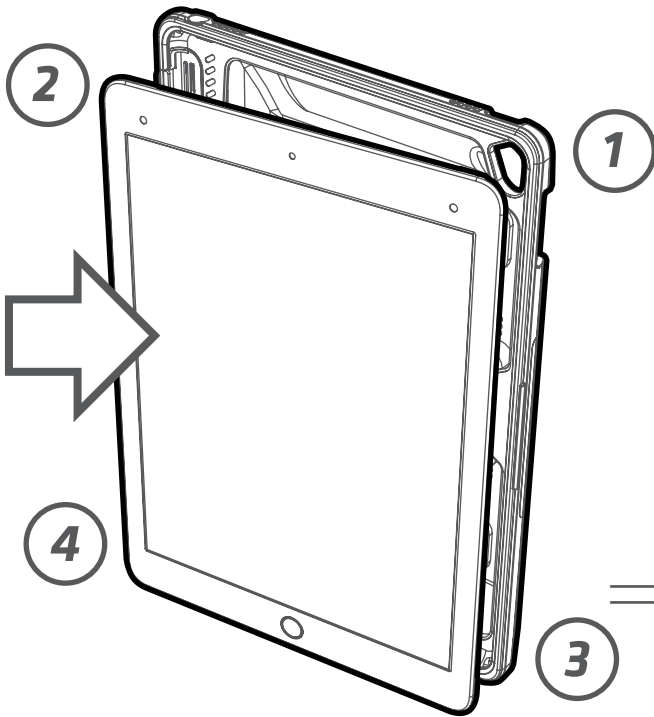
iPad 9.7"



Did You Know?

Not all OMNI 97 compatible devices share the same features or locations of buttons, speakers and cameras. For this reason, the access openings in the OMNI 97 case are designed to accommodate the features of all three device types.

The Universal Spacer fits perfectly into place to fill the difference between device dimensions, while all three devices retain full button functionality and operation.

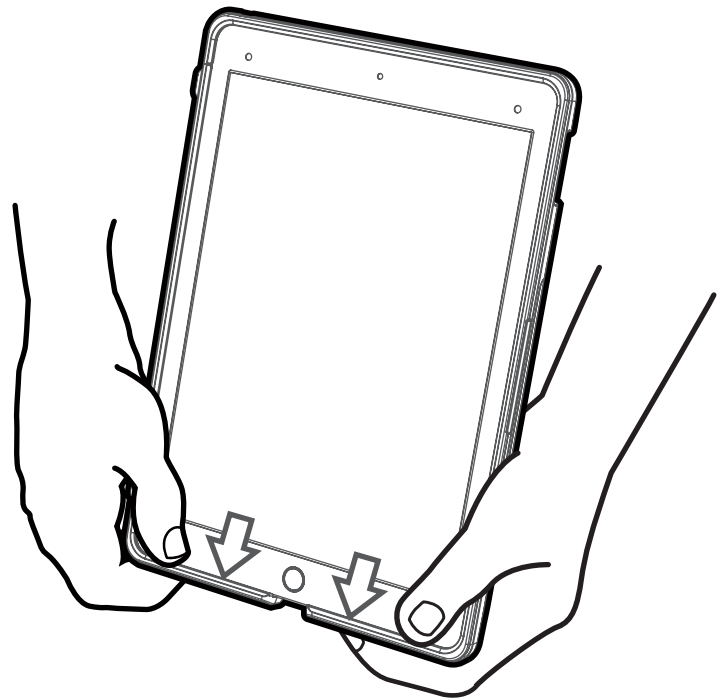


Installing Device

Align device camera and buttons with the corresponding access points in the case body and press the corners of the device into the case in the order shown. The device will snap securely into the case's perimeter seal.

! Pro Tip!
Open the ID window and write your info on the ID card before installing the device.

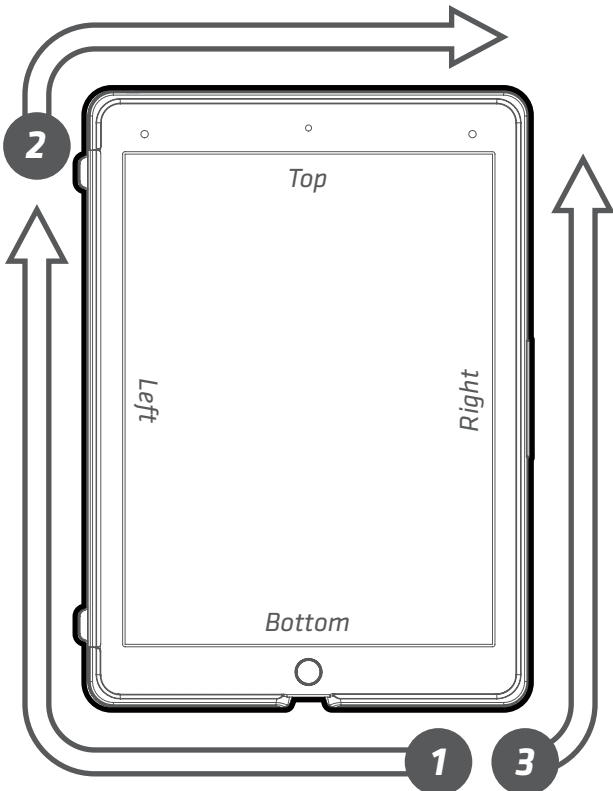
! WARNING!
Do not use excessive force or tools of any kind during install or removal of device. Doing so may cause damage or personal injury.



Removing Device

Beginning with the bottom edge near the charging port, press firmly using your thumbs to disengage the case seal. Continue carefully pressing around the edges of the case to release the device in the order shown. Do not attempt to pry or force the device from the case.

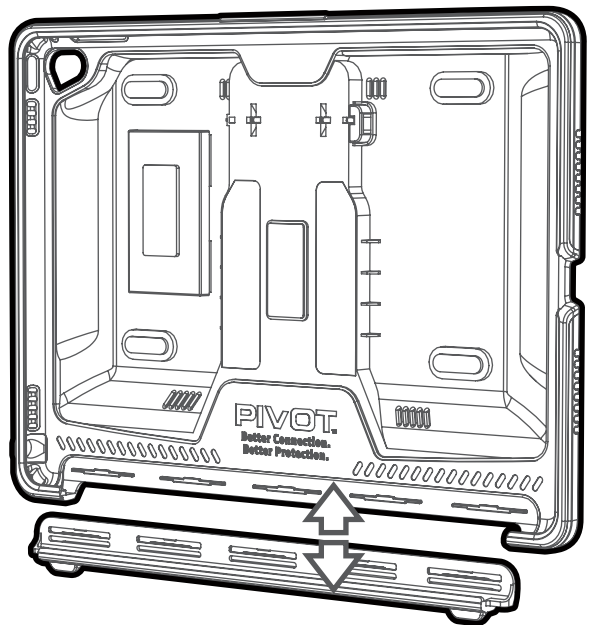
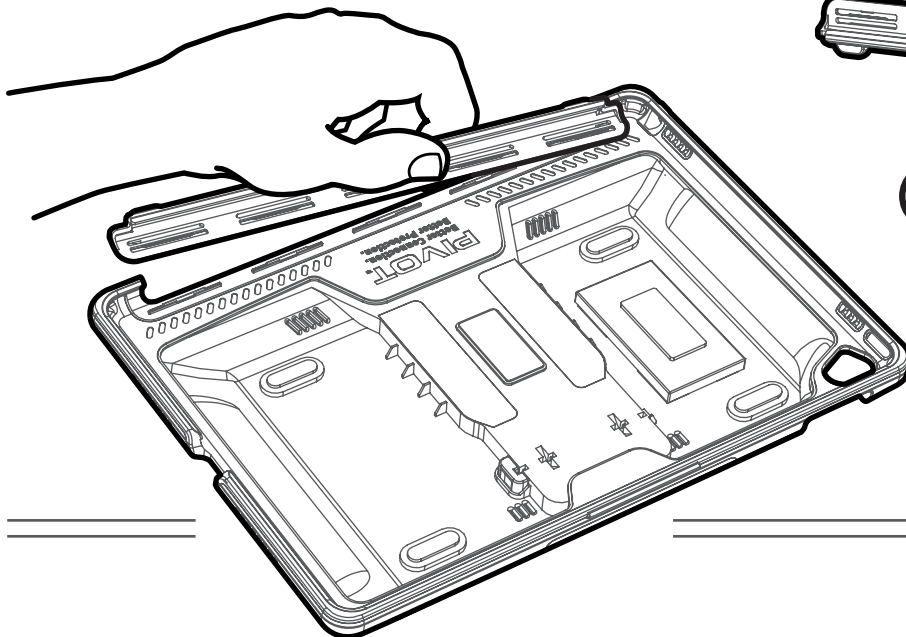
1. Start at the bottom and move left
2. Continue around the top edge
3. Release the right edge to remove device



Keyboard Compatible



To convert for use with the Apple™ Smart Keyboard, simply remove the protective side edge to reveal the Smart Connector. Using your thumb and forefinger, begin disengaging the clips by gripping the side edge firmly and rocking with mild force until the clip gently unlocks. Start with one end and continue releasing the clips as you move across the full length. Do not use excessive force or attempt to rip the parts apart.



Pro Tip!

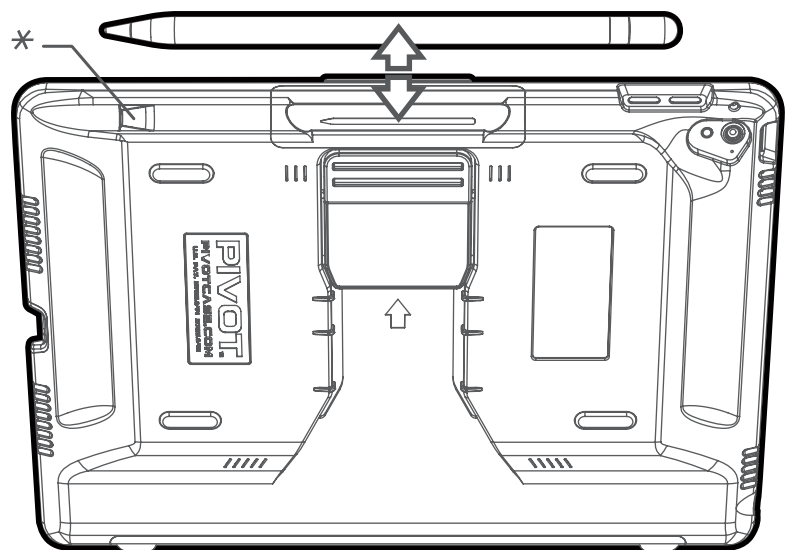
Store any removable parts in a safe and memorable location so they are available if you need them in the future.

Stylus Support



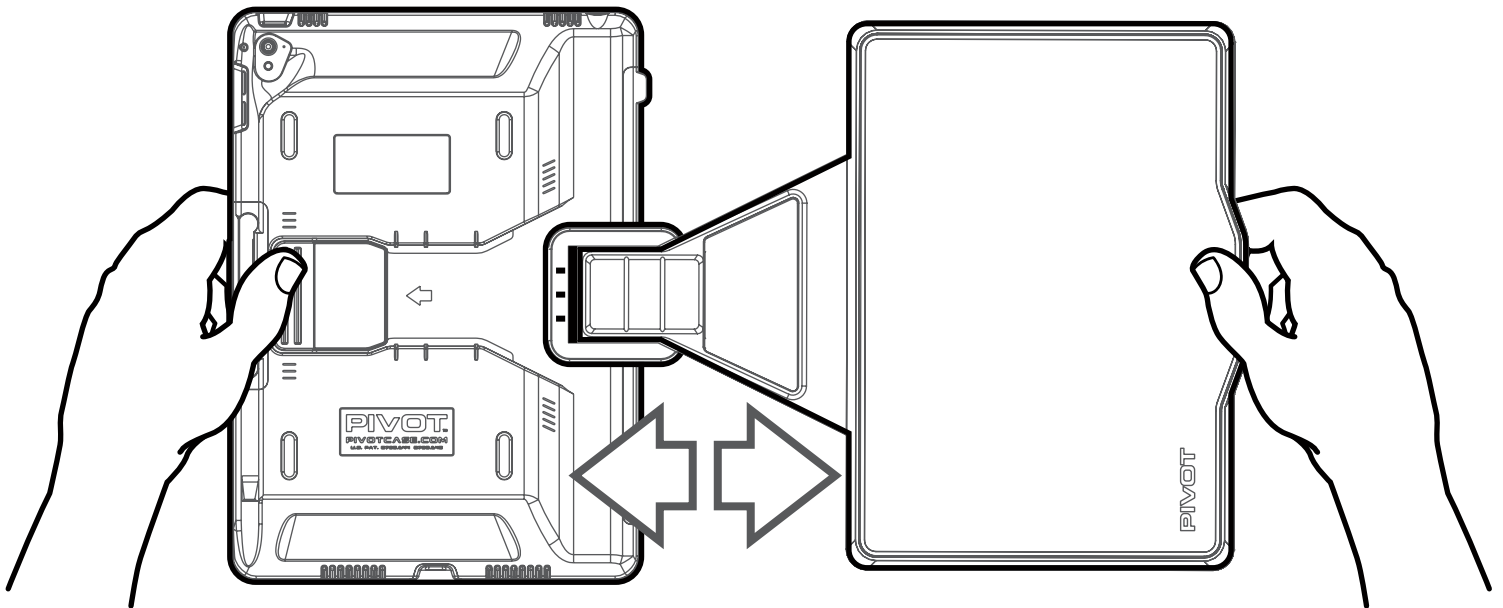
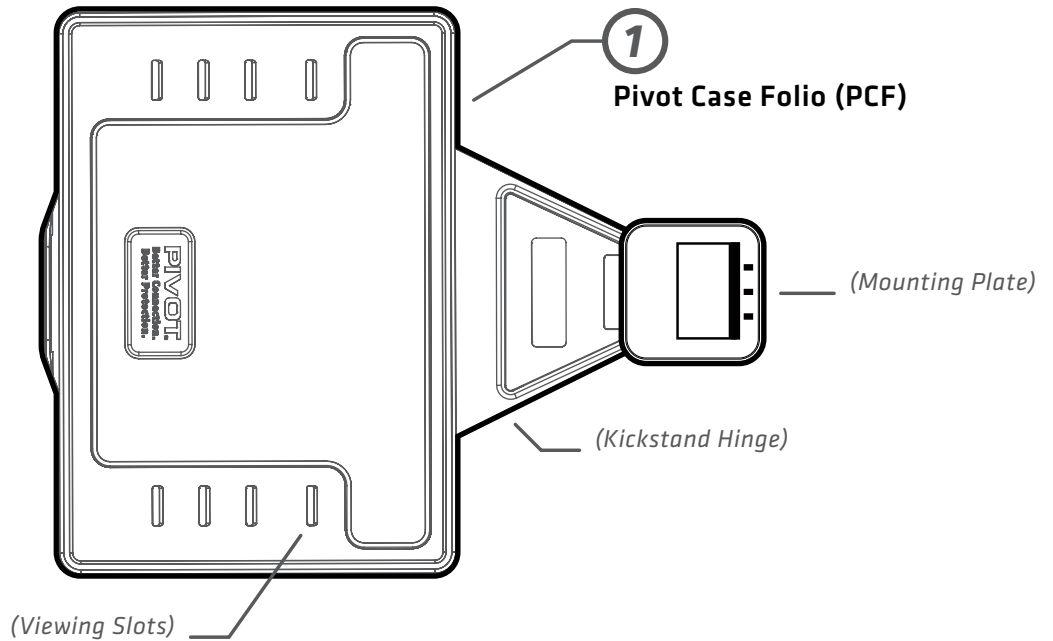
The Apple™ Pencil and similarly sized stylus wands snap firmly into the integrated stylus channel.

Please follow the orientation shown here for the most secure grip. The pencil tip cradle* is specifically designed for the Apple Pencil to prevent leverage that may result in accidental release from the stylus channel.



Folio Cover

Includes the main Folio Cover with Viewing Slots, Kickstand Hinge and the folio Mounting Plate.

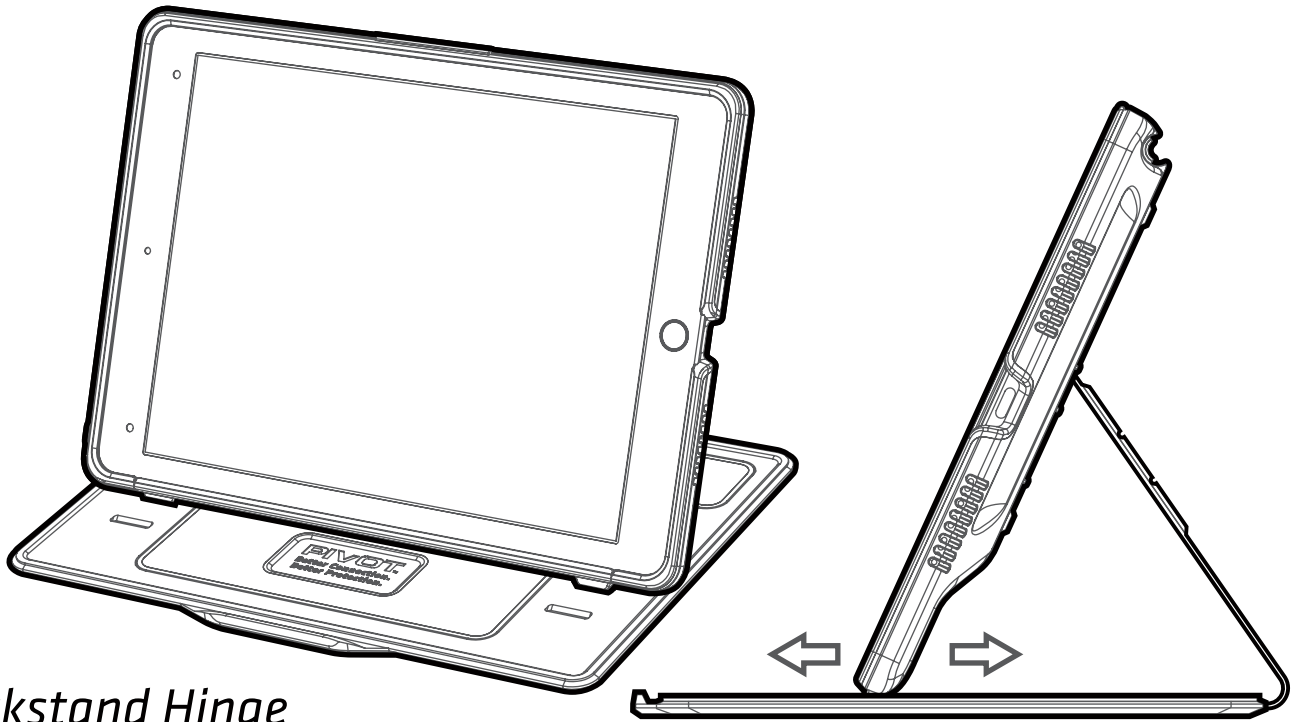


Assembly:

Align the folio cover with the back of the Pivot case as shown. Ensure the folio's mounting plate is placed flat against the back of the case with the three slots directed towards the clip. Slide the folio into the mounting channel and secure with the clip.

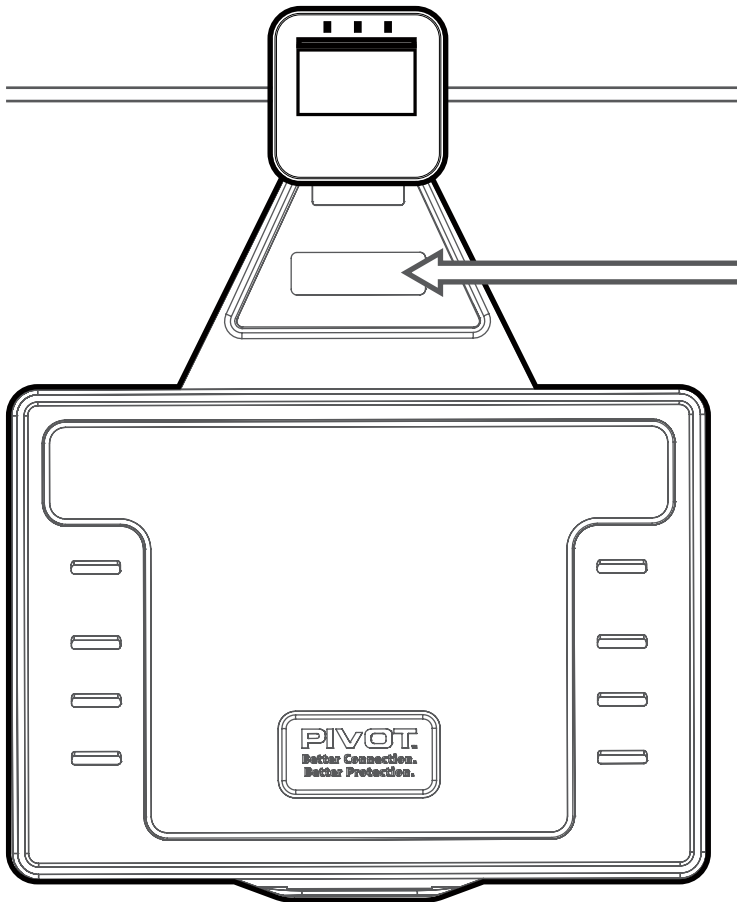
Removal:

Disengage the folio cover from the Pivot mounting channel by pressing the clip on the back of the case, which will release the folio. With the clip pressed, gently pull the folio cover out of the mounting channel. Store the folio in a safe and memorable location.



Kickstand Hinge

Use your folio cover for convenient viewing in four different angles. Open the folio cover and fold into the position show. Engage the flanges on the edge of the case with the viewing slots for superior stability.



Label Area
1/2" x 1 3/4"

Folio I.D. Label

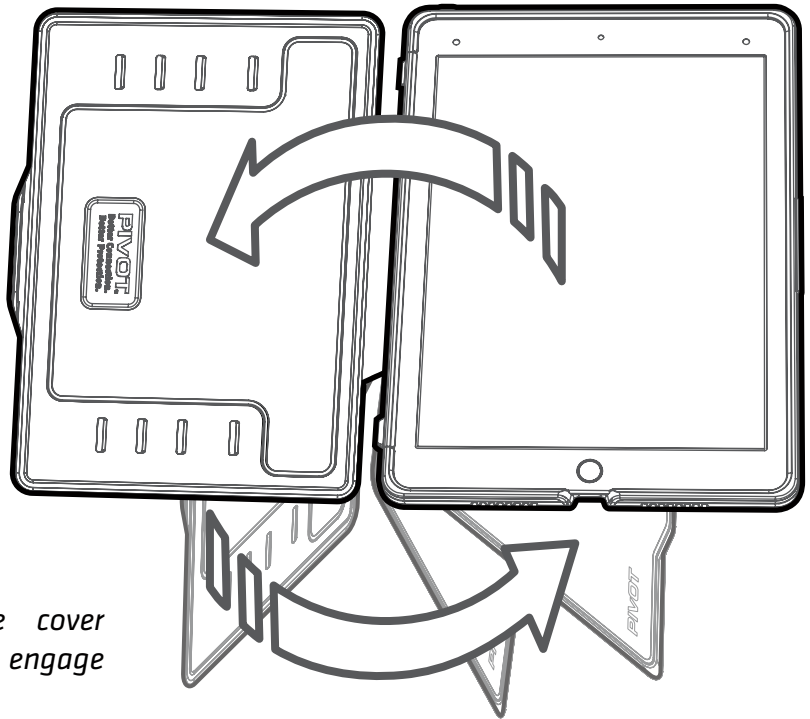
The folio cover includes an I.D. labeling area ready for use with standard adhesive labels. Download the label template from the manufacturer's website and create your I.D. label using ink jet or laser printers.

Recommended: **Avery Template 5167**

Using The Folio Cover

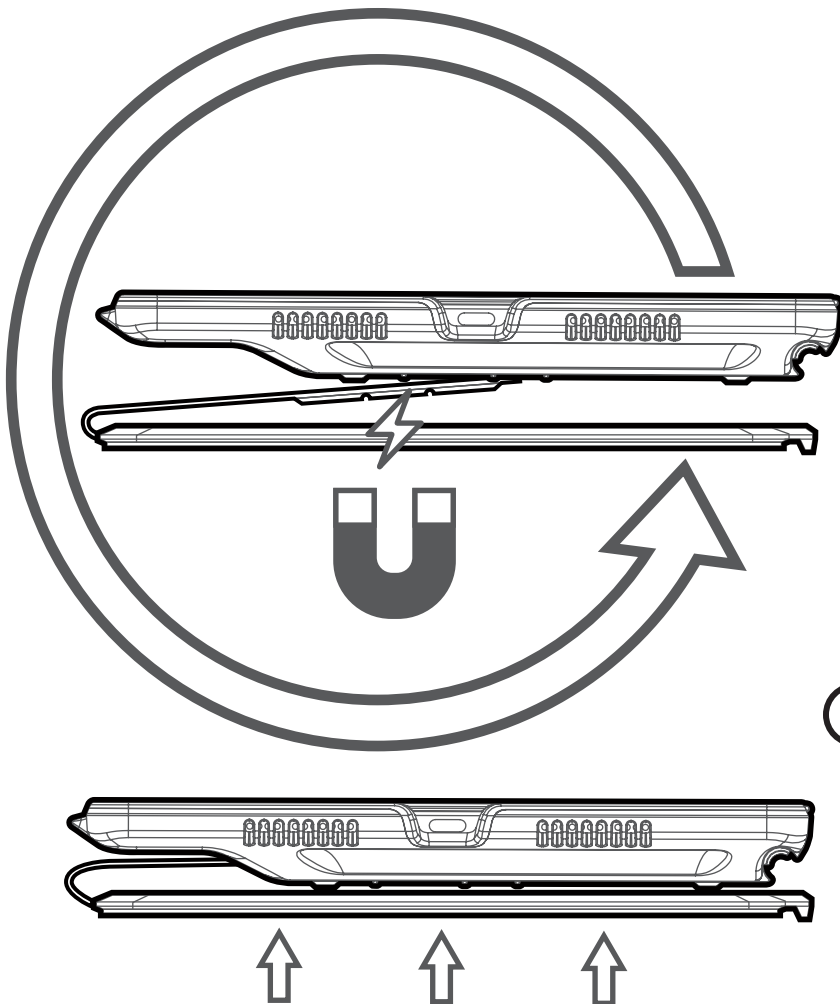
The OMNI 97 Folio Cover is easy and intuitive to use. Simply follow the instructions below when opening and closing your cover.

1. Release the folio latch at the front right edge
2. Open the cover
3. For hand-held viewing, fold the cover back as illustrated, just like a book



! Pro Tip!

Continuously rotate the cover around until the magnets engage with the back of the case.



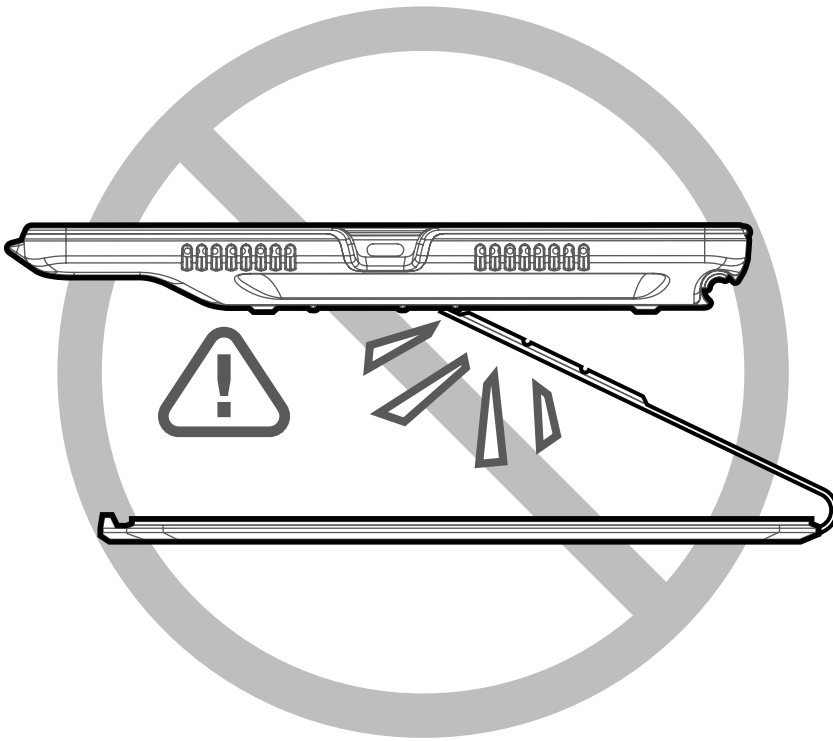
Magnetic Folio Cover

An added convenience feature of the OMNI 97 Folio Cover is the magnetic assist when in hand-held viewing mode. Magnets react to help hold the cover in a comfortable position while the user is holding it.

Open the Folio Cover like a book to feel the magnets engage. This is the correct and intended position of the folio when in hand-held viewing mode. Any other position is incorrect and could result in damage to the cover.

! Pro Tip!

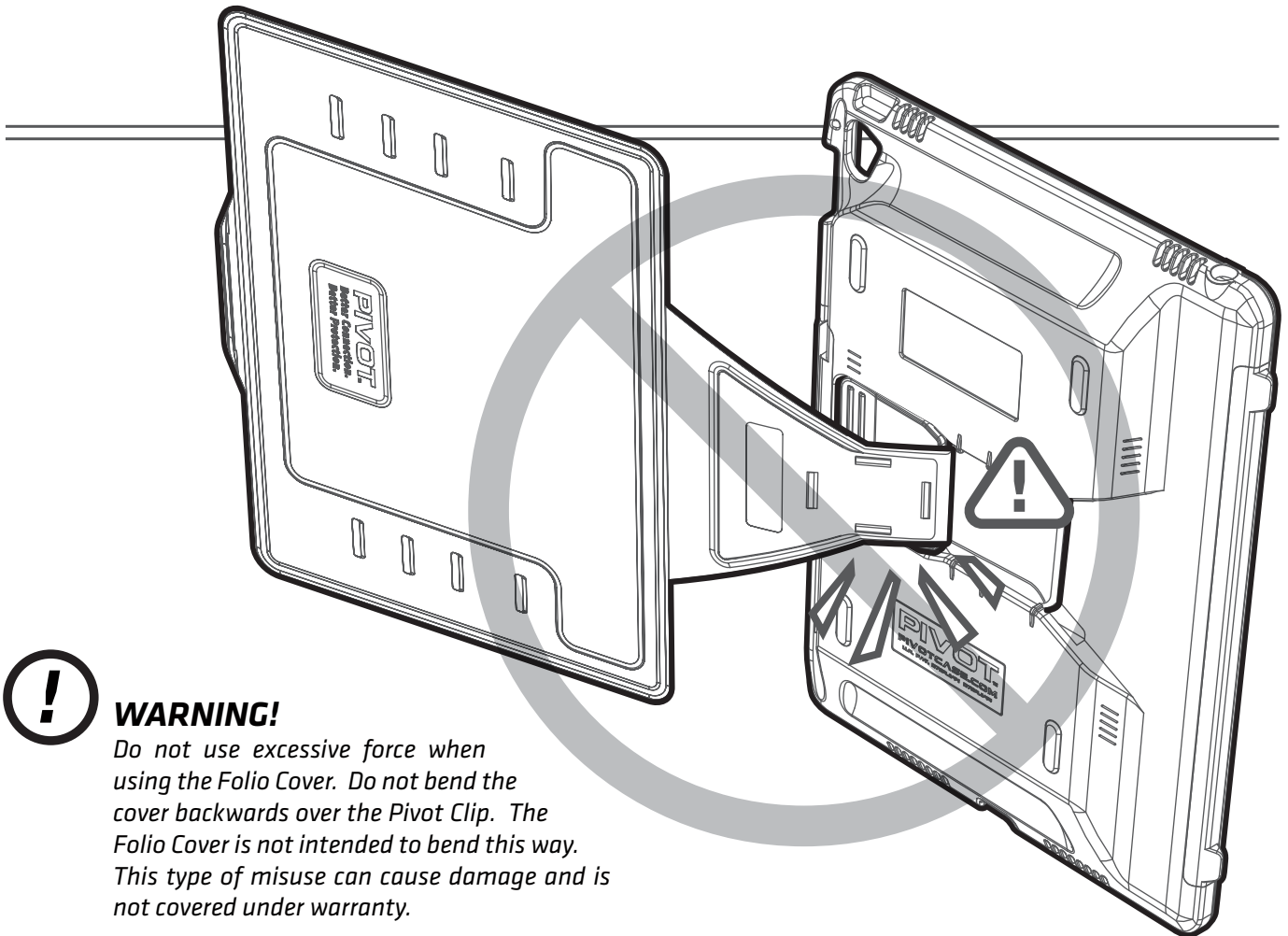
The Folio Cover includes magnets to activate the auto-sleep/wake feature of the iPad. Manage this feature in the device settings menu.



Incorrect Use

The Folio Cover is designed to protect the device during transit and provide convenience features when in viewing mode. It is very durable if used as intended. However, the folio can be damaged if misused and put under repeated stress.

Do not fold the Folio Cover beyond the intended angles indicated by the viewing slots on the inside of the cover or fold incorrectly when in hand-held mode. Doing so may result in damage to the magnetic convenience features.



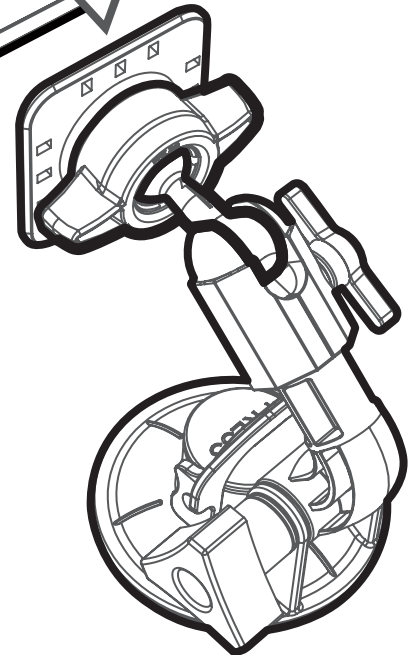
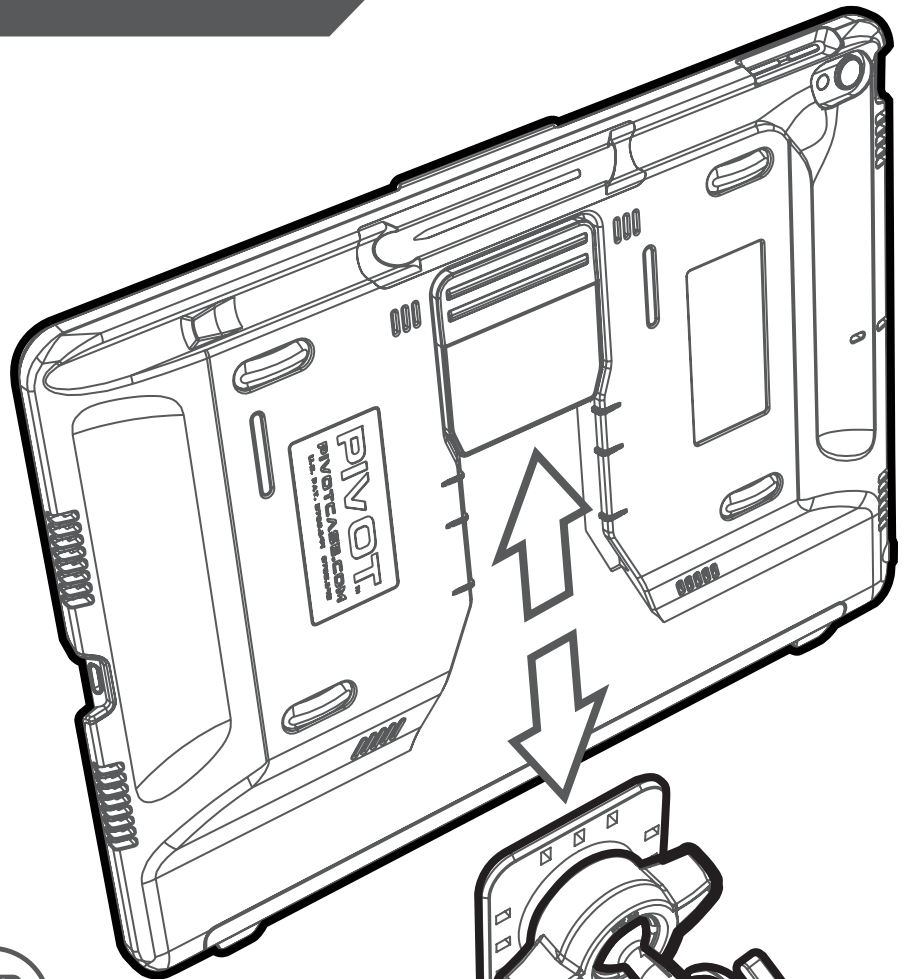
WARNING!

Do not use excessive force when using the Folio Cover. Do not bend the cover backwards over the Pivot Clip. The Folio Cover is not intended to bend this way. This type of misuse can cause damage and is not covered under warranty.

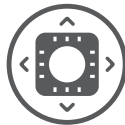


Did You Know?

PIVOT Mounting Solutions are interchangeable. Each PIVOT Mounting Solution case will always connect securely with every PIVOT Mount.



Universal Mounts



Your PIVOT case is designed to work with a wide variety of patented PIVOT Mounting Solutions. Prior to connecting the PIVOT case to the mount, confirm the mount is in the correct location and is fully secure. Adjust the mount to the desired orientation and tension for your device type. Position the mounting plate to promote a parallel orientation to the case during the install. Follow the steps listed below for secure mount connection every time:

- 1. Raise the PIVOT case ABOVE the mounting plate to ensure all corners of the mounting plate are below the widest opening of the mounting channel on the case body.*
- 2. Next, lower the case body onto the mounting plate. You will feel the mounting plate being guided into the case's mounting channel.*
- 3. The connection is complete when you hear the audible "CLICK" of the clip and mounting plate engaging. It is not necessary to depress the clip during install as it is designed to lock onto the mounting plate when properly inserted.*

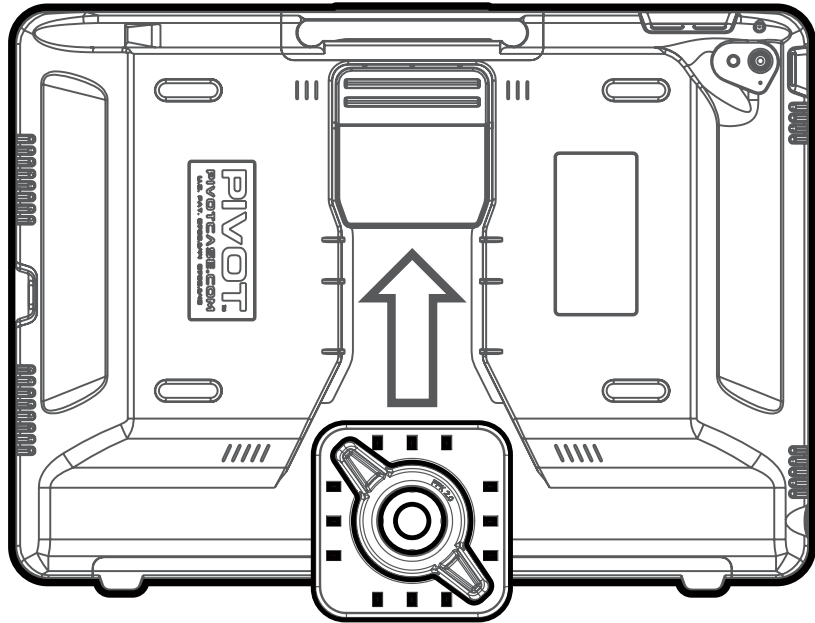
(Depress the PIVOT Clip and reverse this process to unmount the case.)

Click! Connection

With PIVOT's audible engagement, be confident when hearing the "Click!" your connection is locked in place. If there is no "Click!" sound heard during your installation, you may have a misalignment and should reattempt.

Pro Tip!

It is not necessary to depress the clip during install. If the clip is depressed, holding it in the release position, there won't be an audible "Click!"

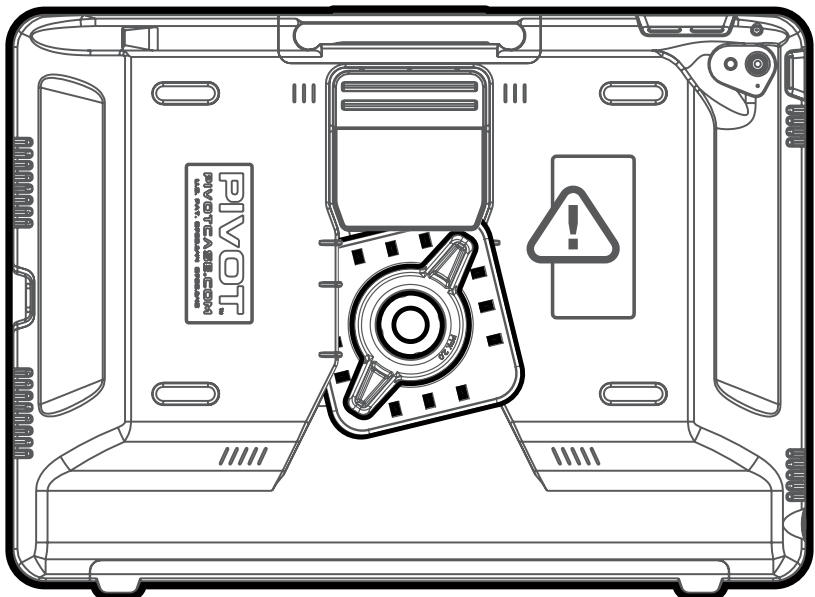


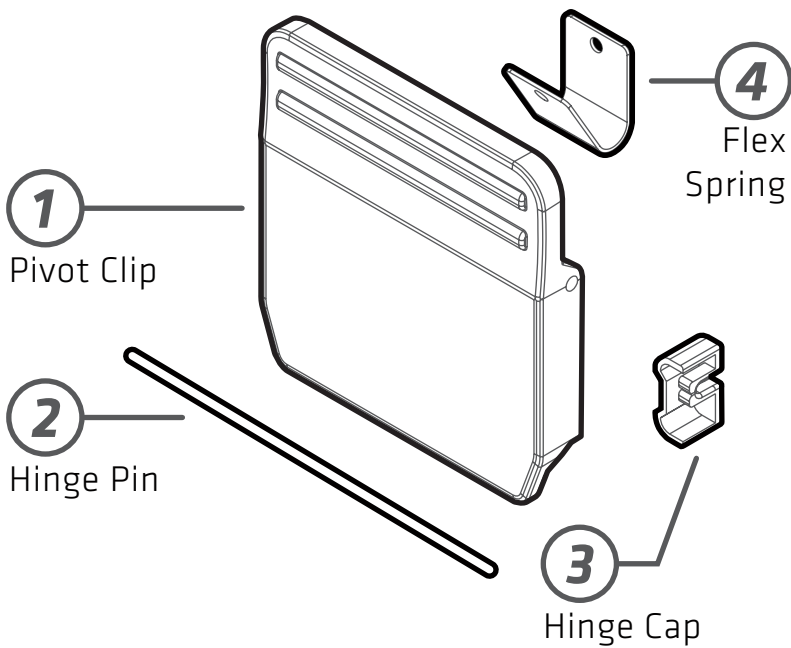
Incorrect Mount Alignment

Shown below is an example of an incorrect alignment of the mounting plate and PIVOT case. The clip is not properly engaged with the mounting plate and is not holding the case in the locked position. The mounting plate is not fully inserted into the mounting channel and will not support the weight of the case and device.

Pro Tip!

If you feel resistance on the mounting plate as it enters the mounting channel, you may be engaging the "speed bumps" along the outer edges. They are designed to provide tactile feedback, which indicates misalignment.



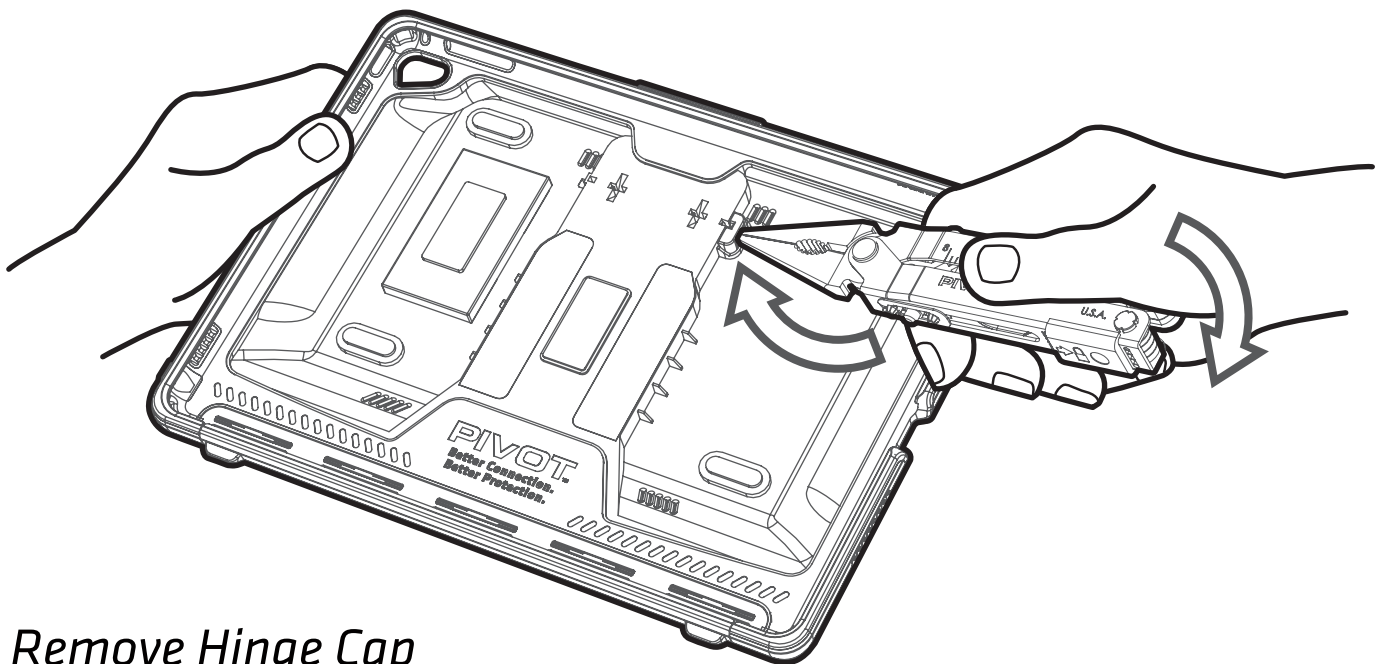


Getting Started

Before beginning any clip replacement procedure, please ensure you have a compatible Pivot Clip Kit. The PIVOT OMNI 97 case uses the PCK-2 Assembly, Gen 2.0. It is not compatible with older version of the PIVOT clip.

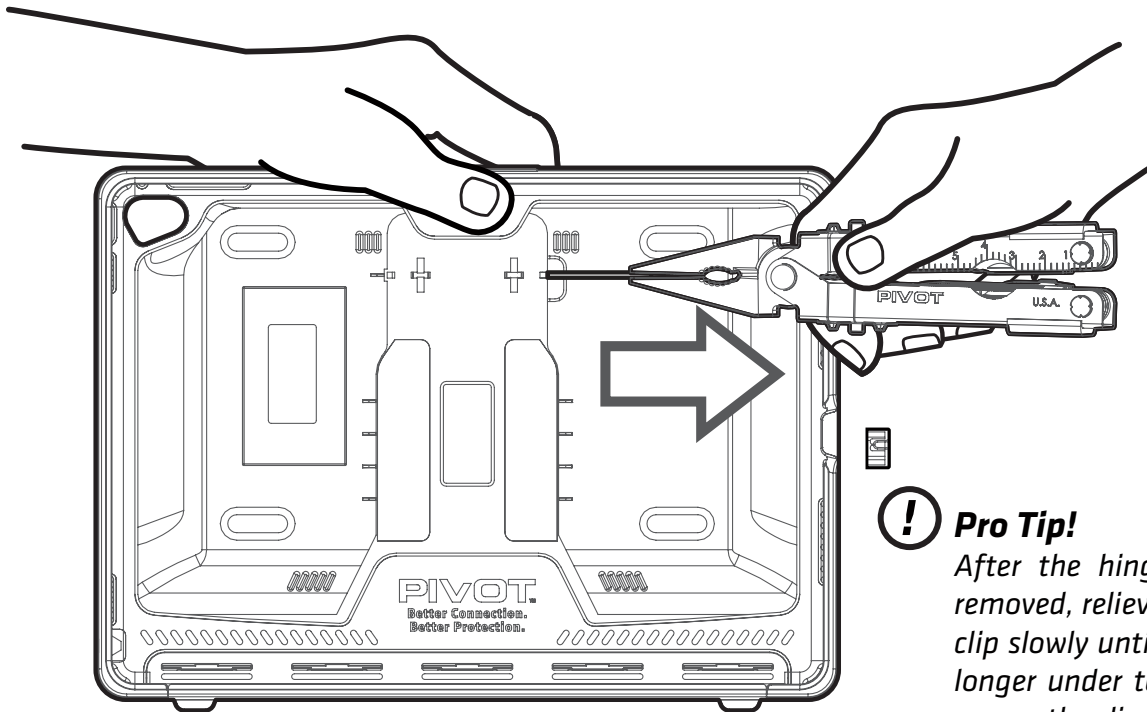
Required:

- 1 Unit PCK-2 Assembly, Gen 2.0
- 1pc Pivot Clip
- 1pc Hinge Pin
- 1pc Hinge Cap
- 1pc Flex Spring



Remove Hinge Cap

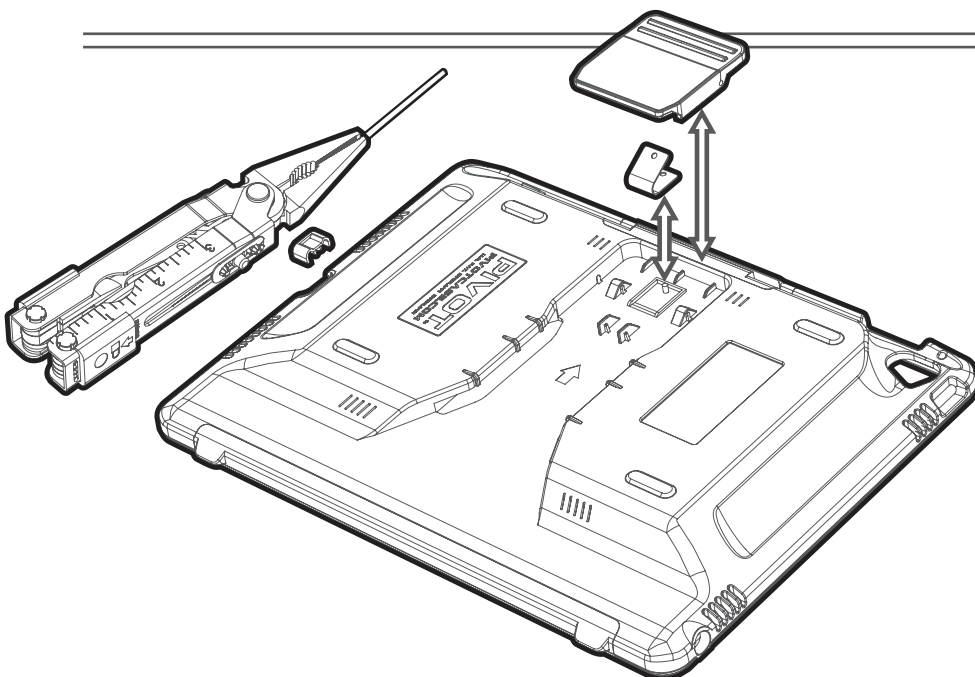
- Remove device. Follow instructions on pivotcase.com for your case and device type.
- Remove the hinge cap using blunt end of pliers' nose and mild leverage to pry the small cap off. There is a small ledge on the edge of the cap for this purpose.



! Pro Tip!
 After the hinge pin has been removed, relieve pressure on the clip slowly until the spring is no longer under tension. This will ensure the clip and spring can be removed safely.

Remove Hinge and Clip

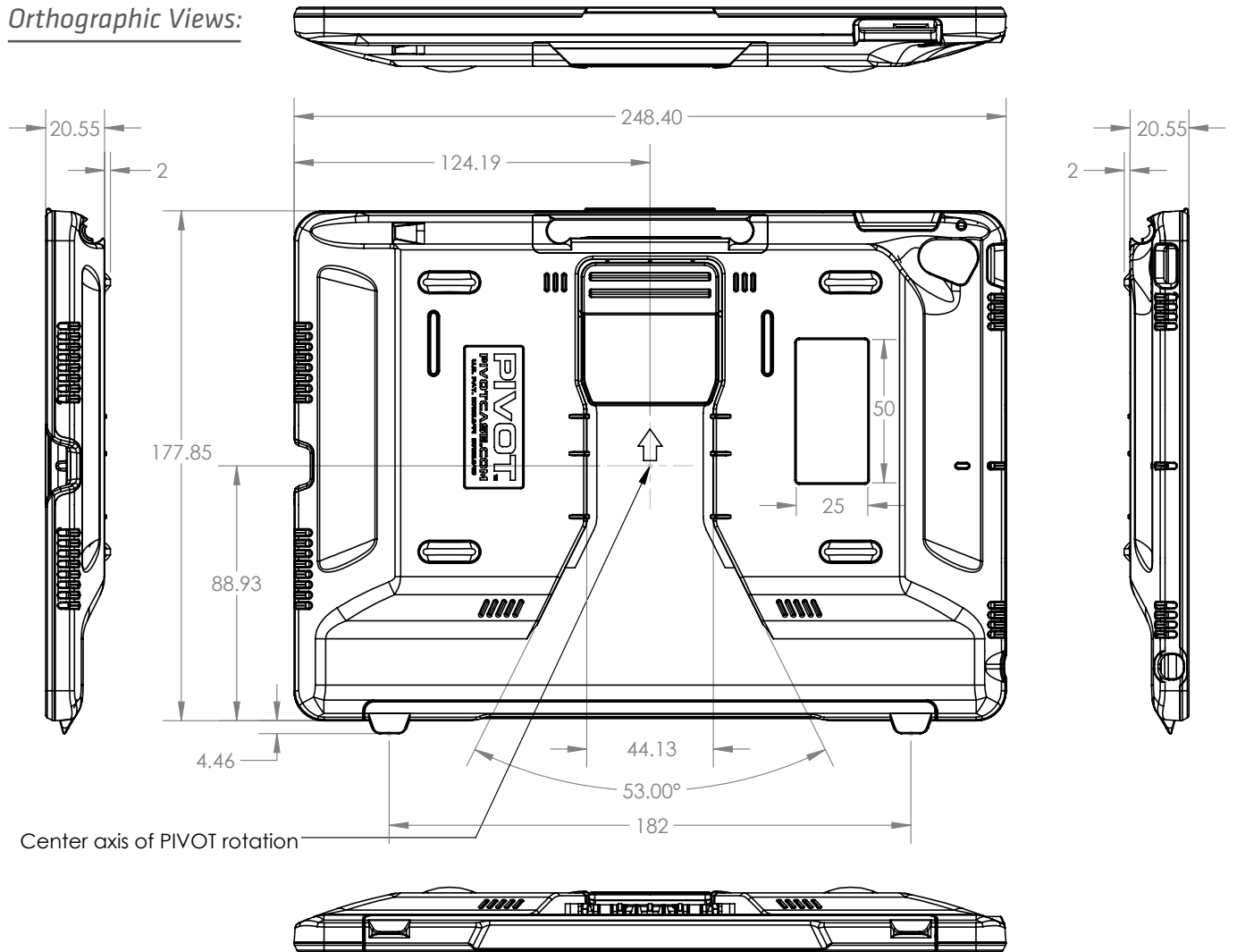
- c) With one hand, hold the clip firmly against the case, apply even pressure to the clip.
- d) Using pliers with other hand, pull the hinge pin out. (Be careful, the clip is under spring tension.)
- e) Remove clip while holding the spring in place. Replace spring if necessary.



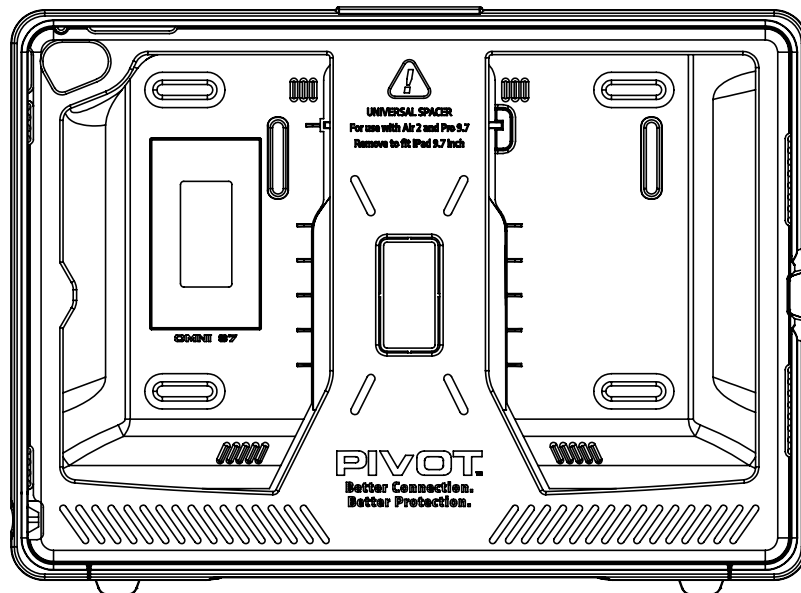
Installing New Clip

- f) Install new clip, hold it down firmly while applying even pressure.
- g) Reinstall hinge pin, ensure it is inserted all the way.
- h) Replace hinge pin cap... DONE!

Orthographic Views:



Interior View:



Thank you.

Additional Information

To learn more about your PIVOT case, please visit pivotcase.com for instructional videos, product support and additional information about PIVOT products. You'll find valuable online resources provided to enhance your user experience and see the complete line of PIVOT products.

Learn more at:
PIVOTCASE.COM

PIVOT SUPPORT

If you have questions please contact PIVOT Support.

 www.pivotcase.com/support

 sales@pivotcase.com

 1-888-4-FLYBOYS (1-888-435-9269)

 www.youtube.com/c/pivotcasevideo

TM and © 2017 FlyBoys Inc. All rights reserved.
Designed in USA. Printed in USA.

PIVOT™

Better Connection. Better Protection.
Making the **Case** for Aviation.